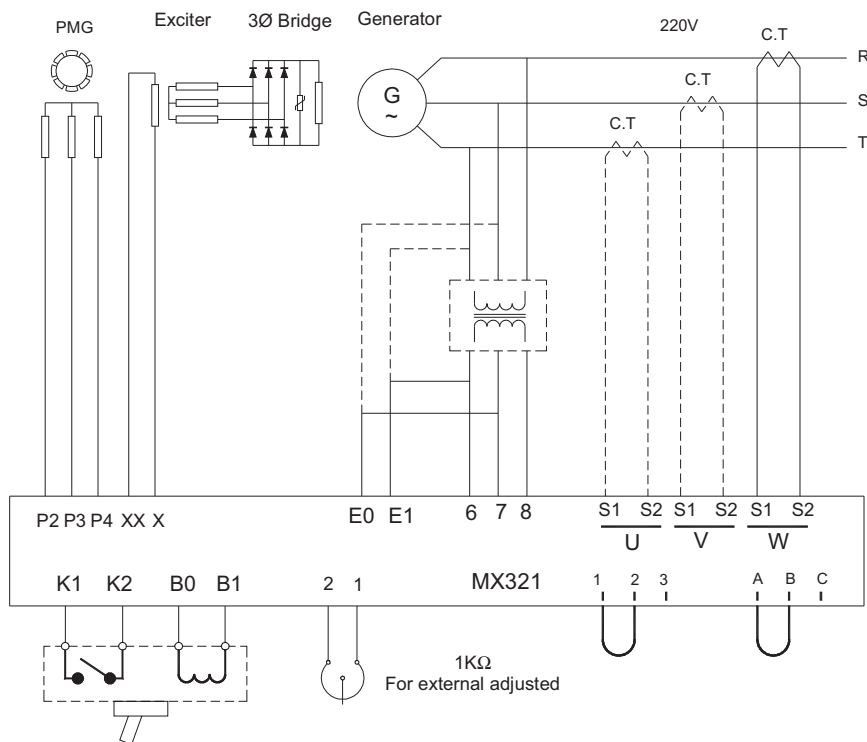


Position Drawing



Wiring Drawing

Note : When the system voltage over 220VAC, a transformer is necessary at sensing input terminal is recommend.

